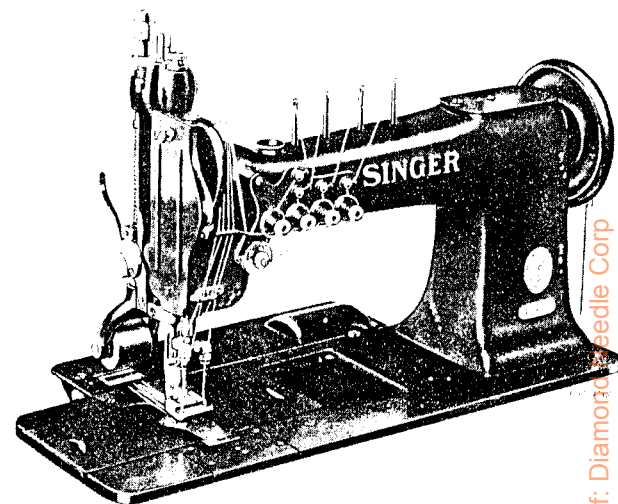


**SINGER**  
**131W113**

Form 2805w  
542 )  
Printed in U. S. A.

# SINGER

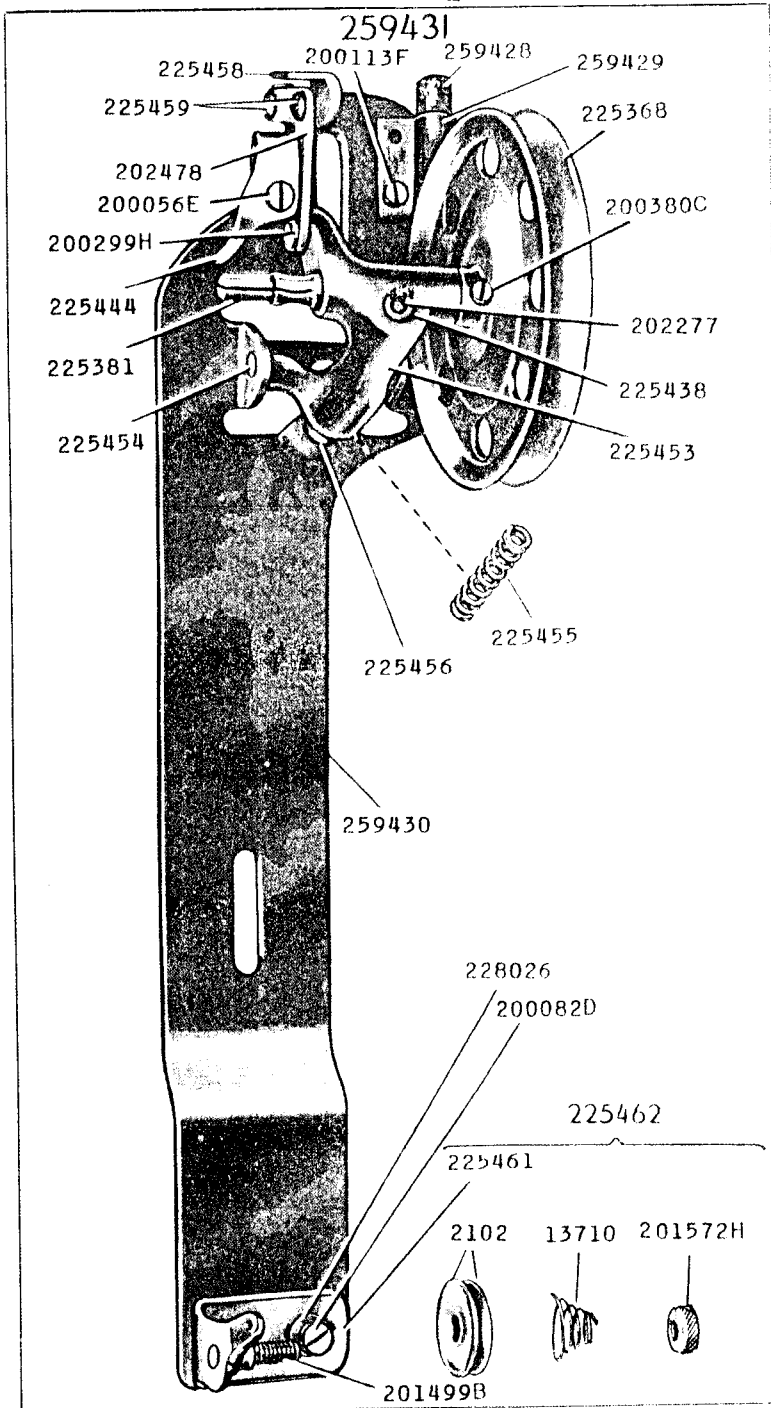
## 131w113



From the library of: Diamond Needle Corp

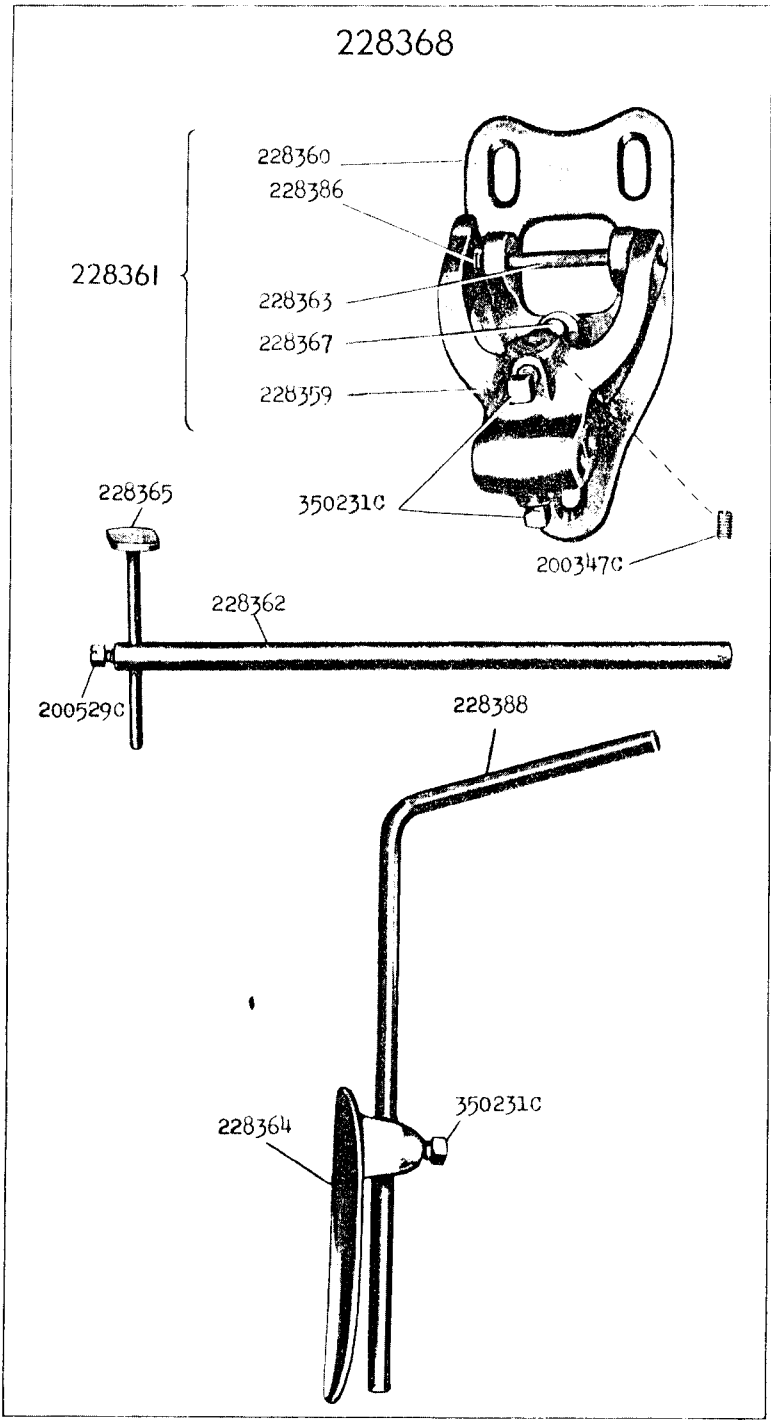
THE SINGER MANUFACTURING COMPANY

16615 - 1/2

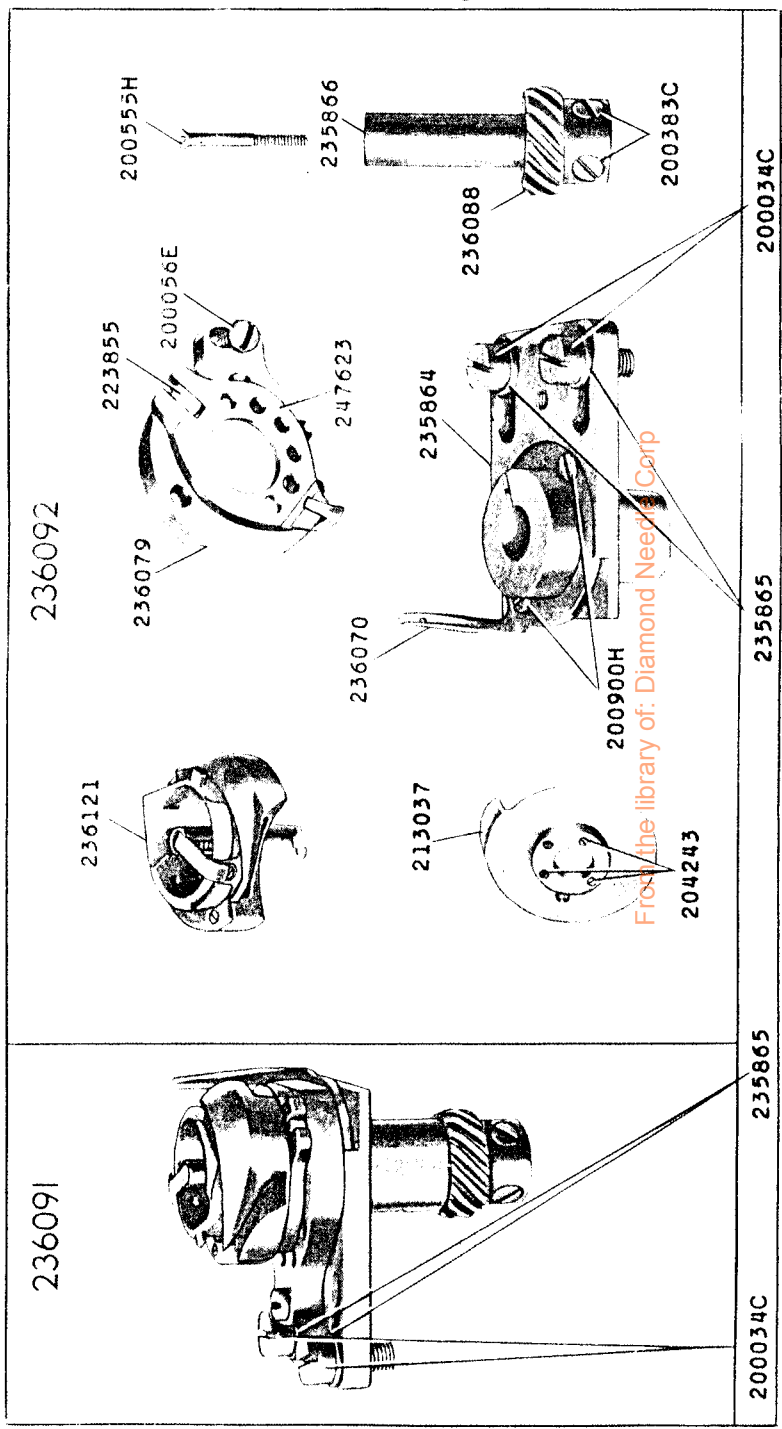


16643 - 3/8

228368

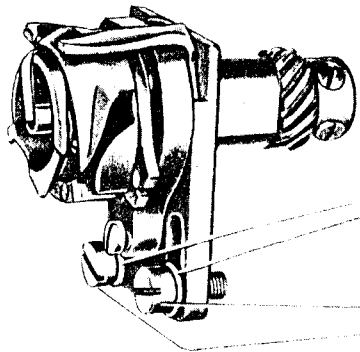


17080 - 5/8

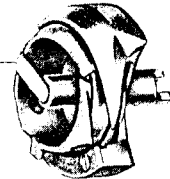


Frost the library of: Diamond Needles Corp

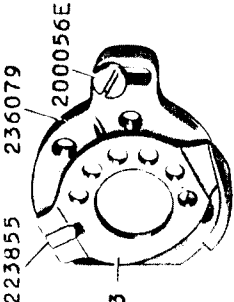
236139



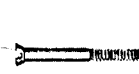
236121



236140



200555H



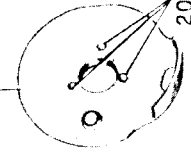
223855

236079

200056E

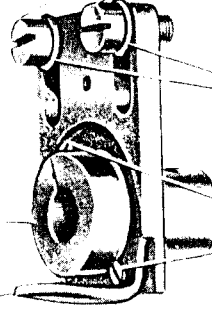
247623

213037



236070

235864



235866



236087

200383C

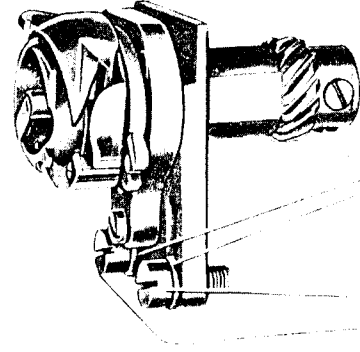
20034C

235865

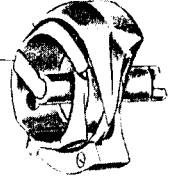
235865

200034C

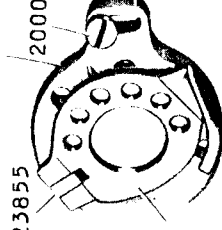
236135



236121



236136



200555H



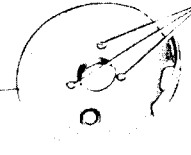
223855

236079

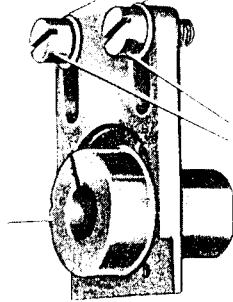
200056E

247623

213037



235864



235866



236087

200383C

20034C

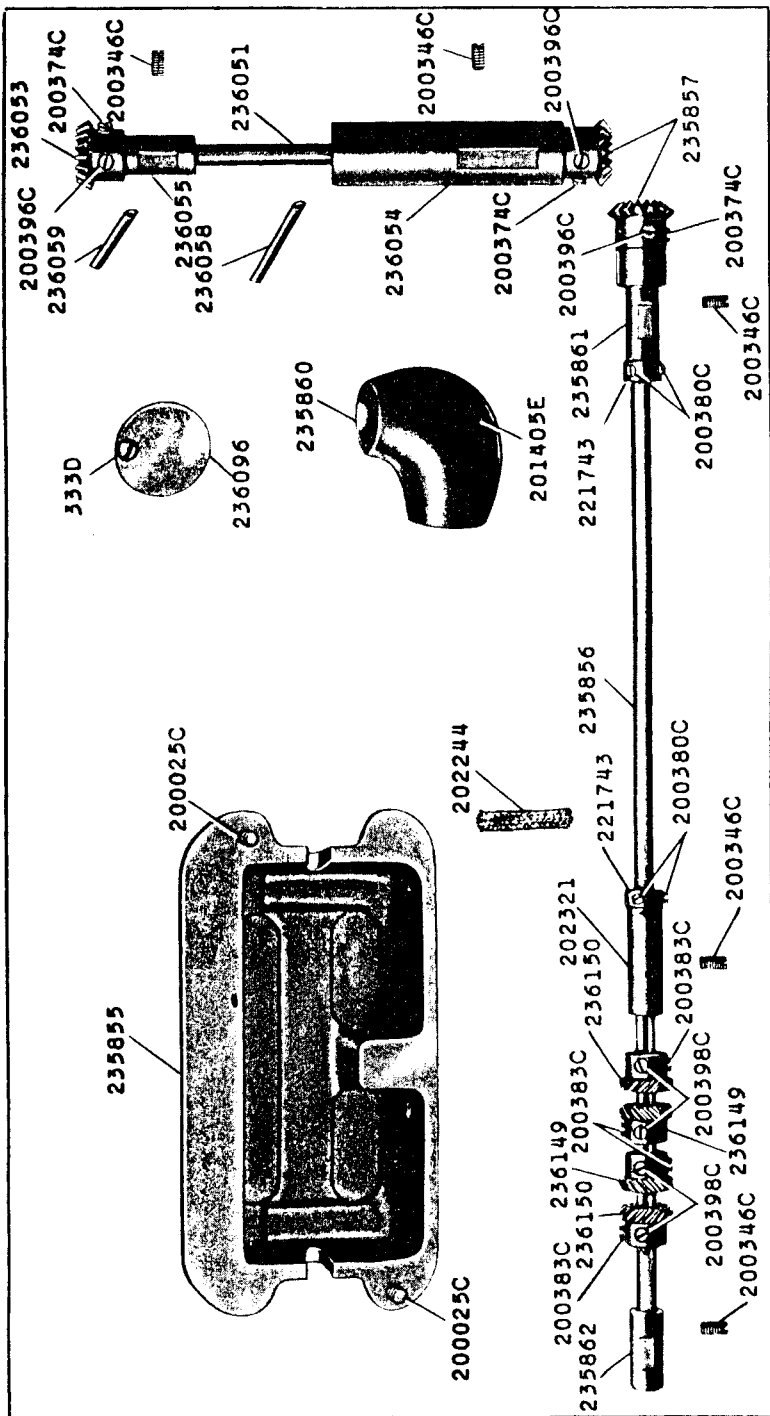
235865

20034C

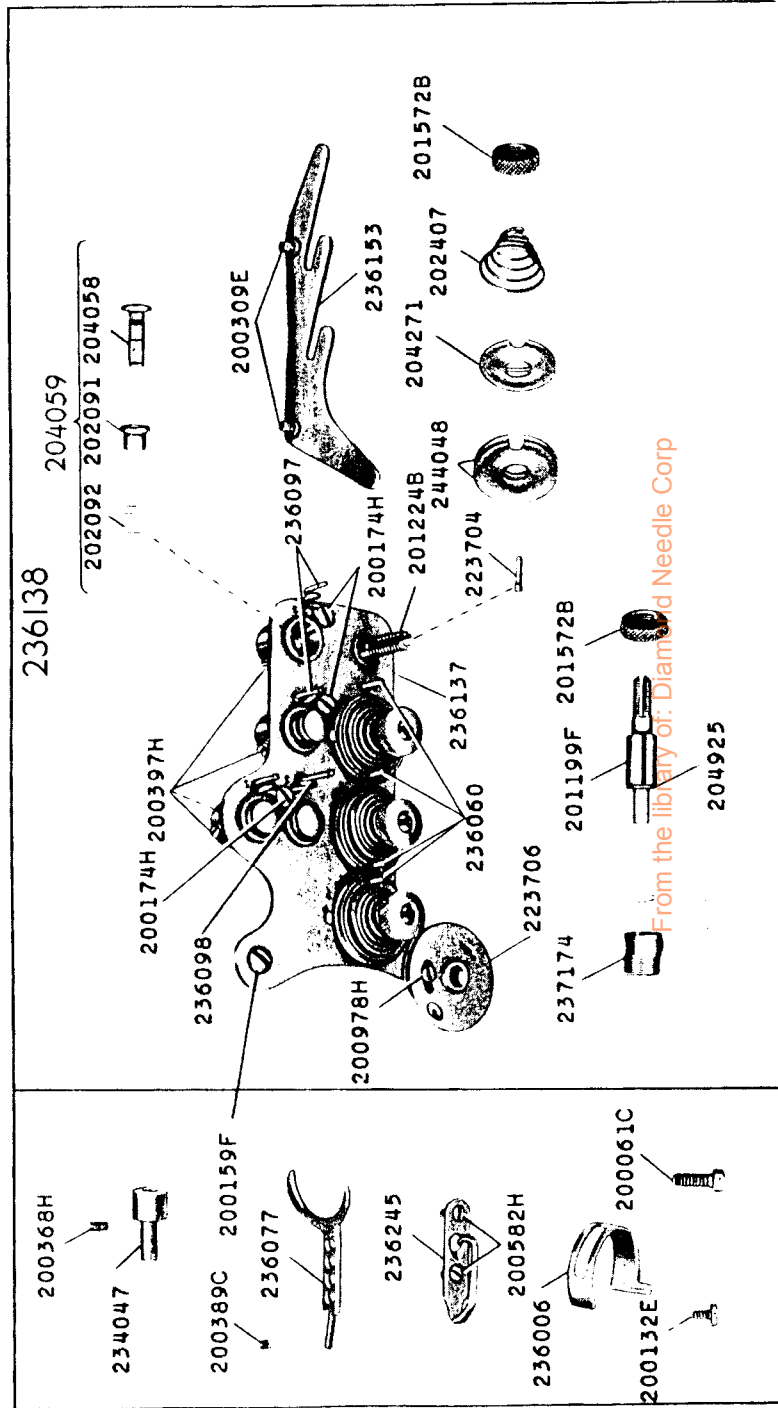
235865

From the library of: Diamond Needle Corp

17107 - 1/3



17109 - 1/2



236138

200368H

234047

200389C 200159F

236077

236245

200582H

236006

200132E

200061C

204059  
202092 202091 204058

200174H 200397H

236098

200174H 200397H

200978H

200978H

236060

236137

223706

201199F 201572B

237174

204925

200309E

236097

200174H

201224B

244048

223704

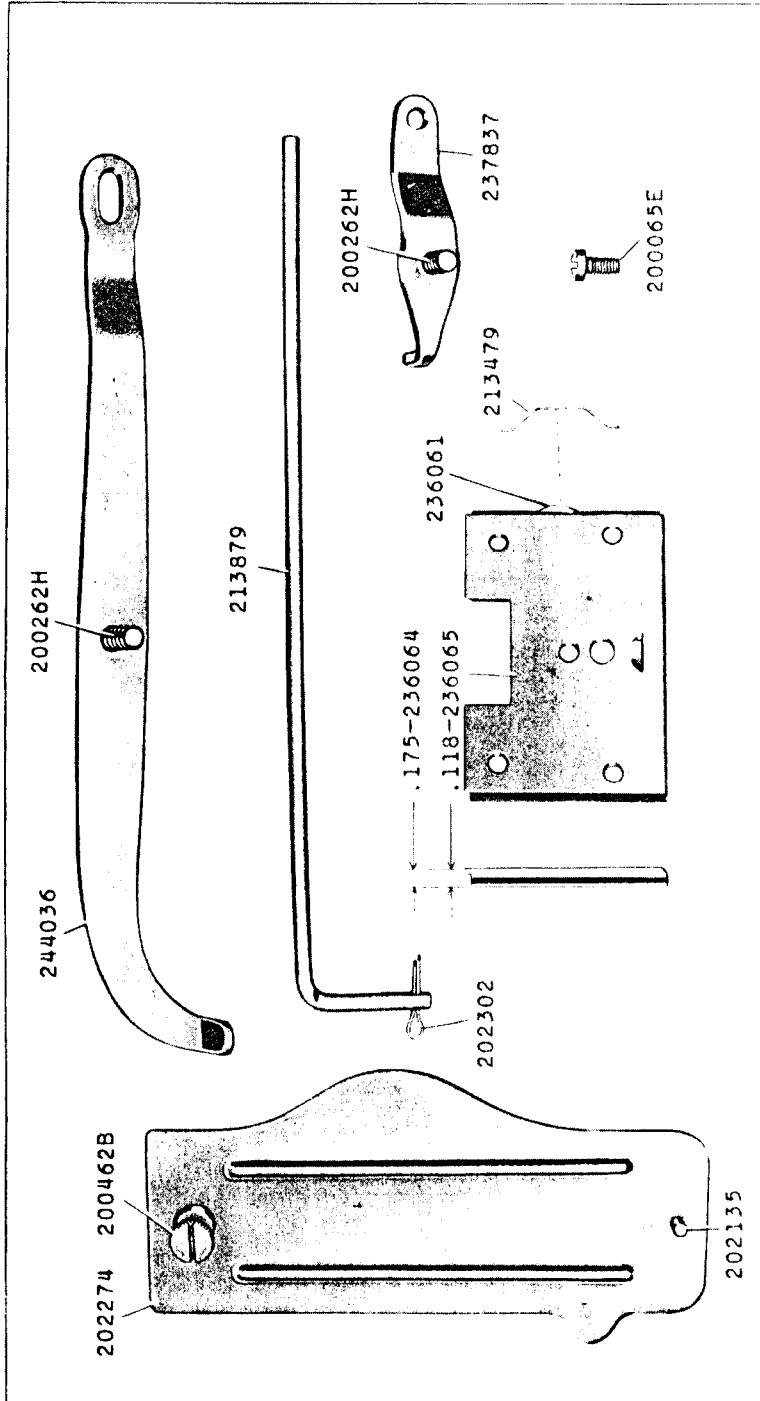
204271

202407

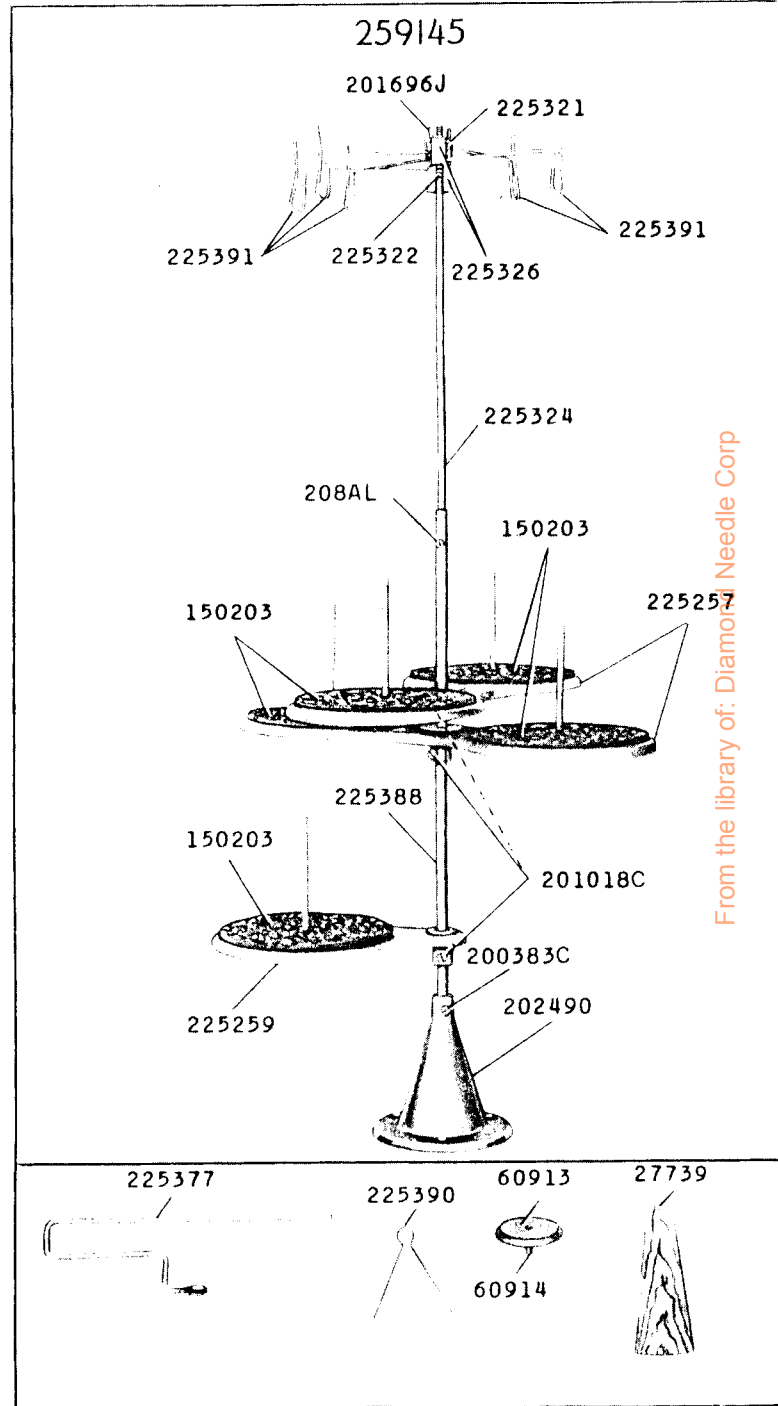
201572B

From the library of: Diamond Needle Corp

17110 - 1/2

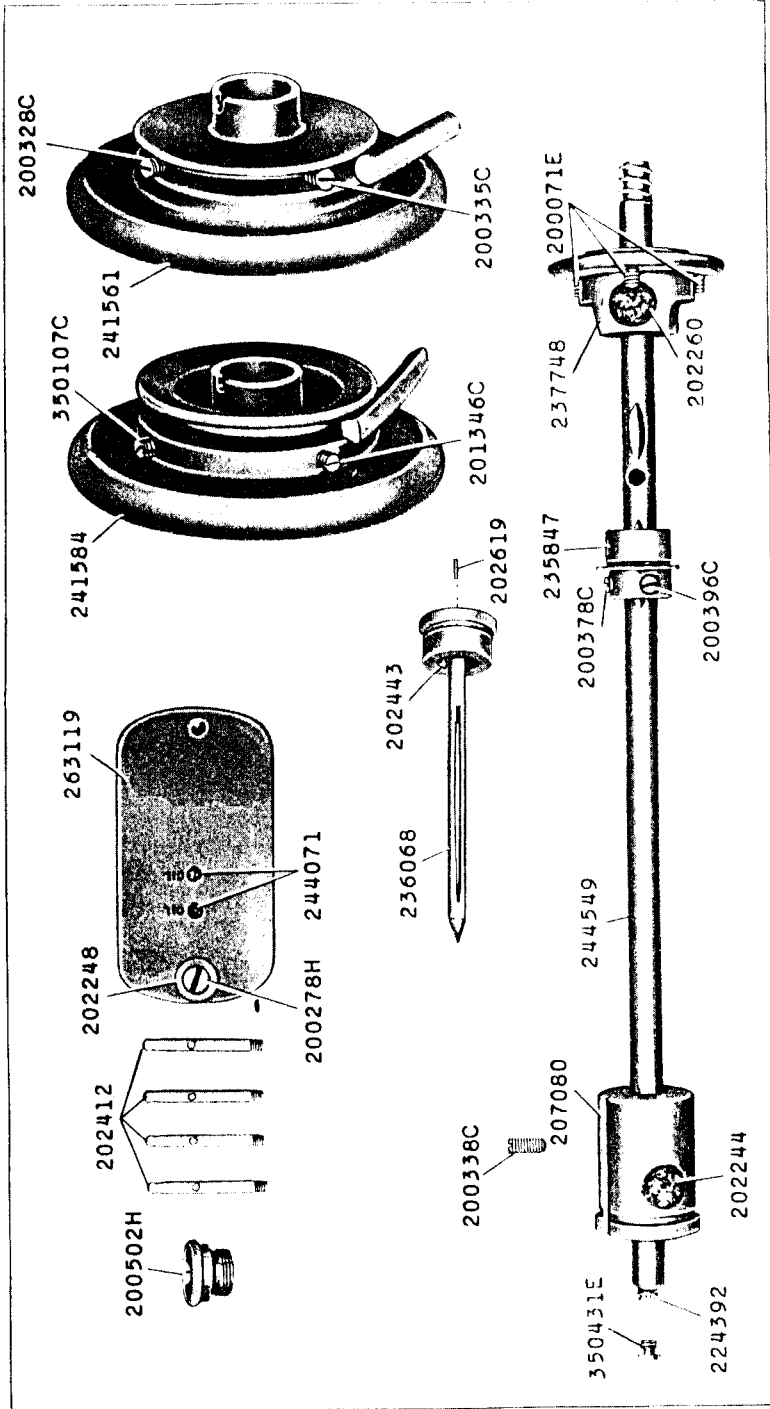


17126 - 1/6

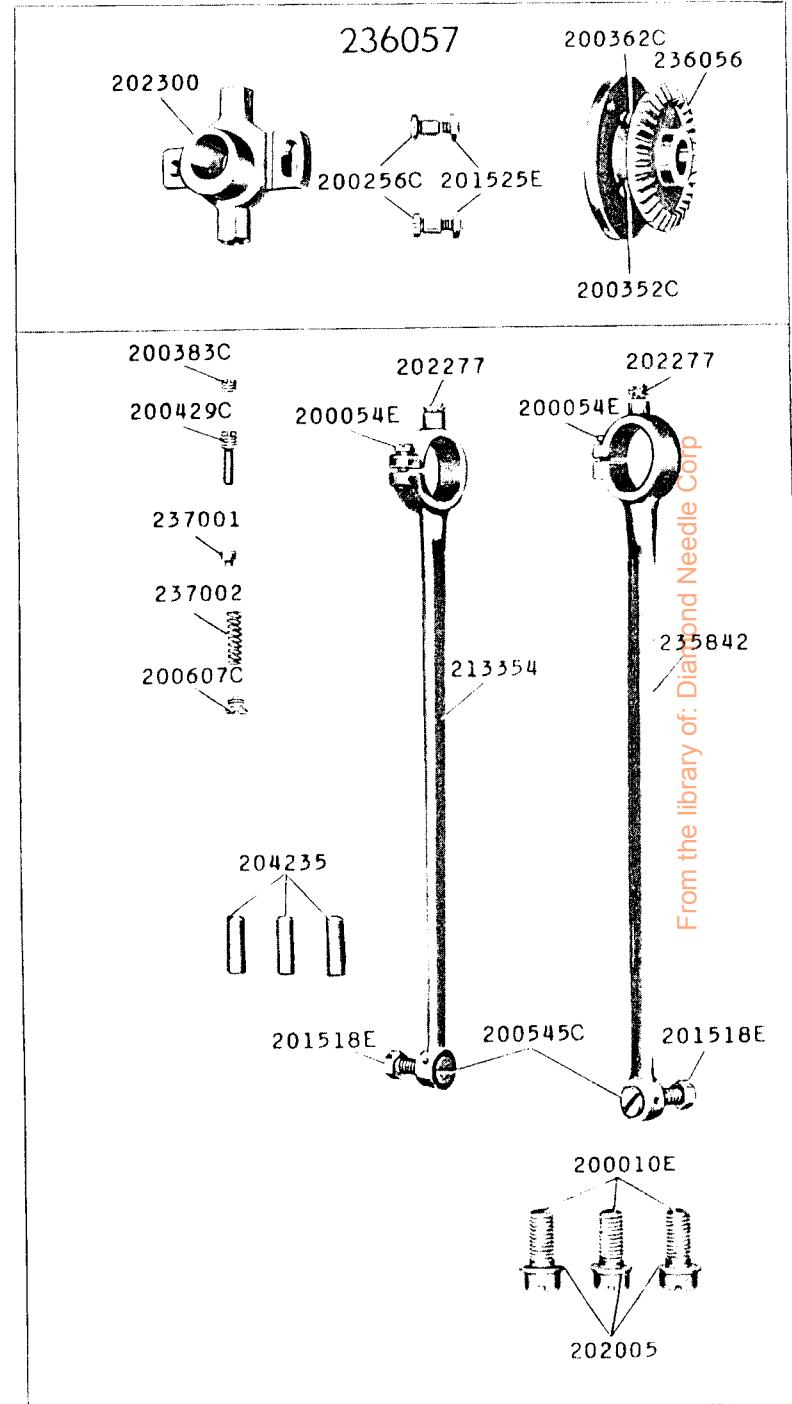


From the library of: Diamond Needle Corp

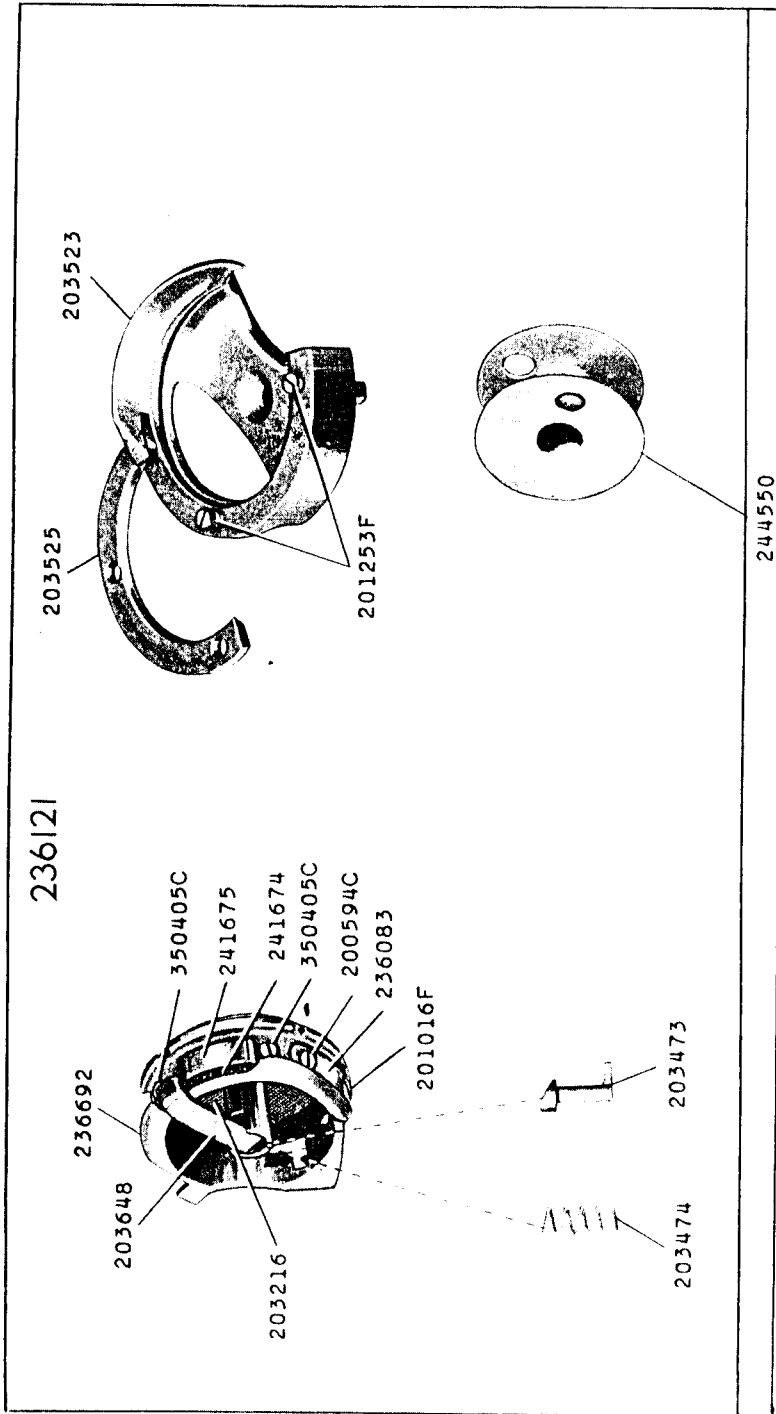
17127 - 3/8



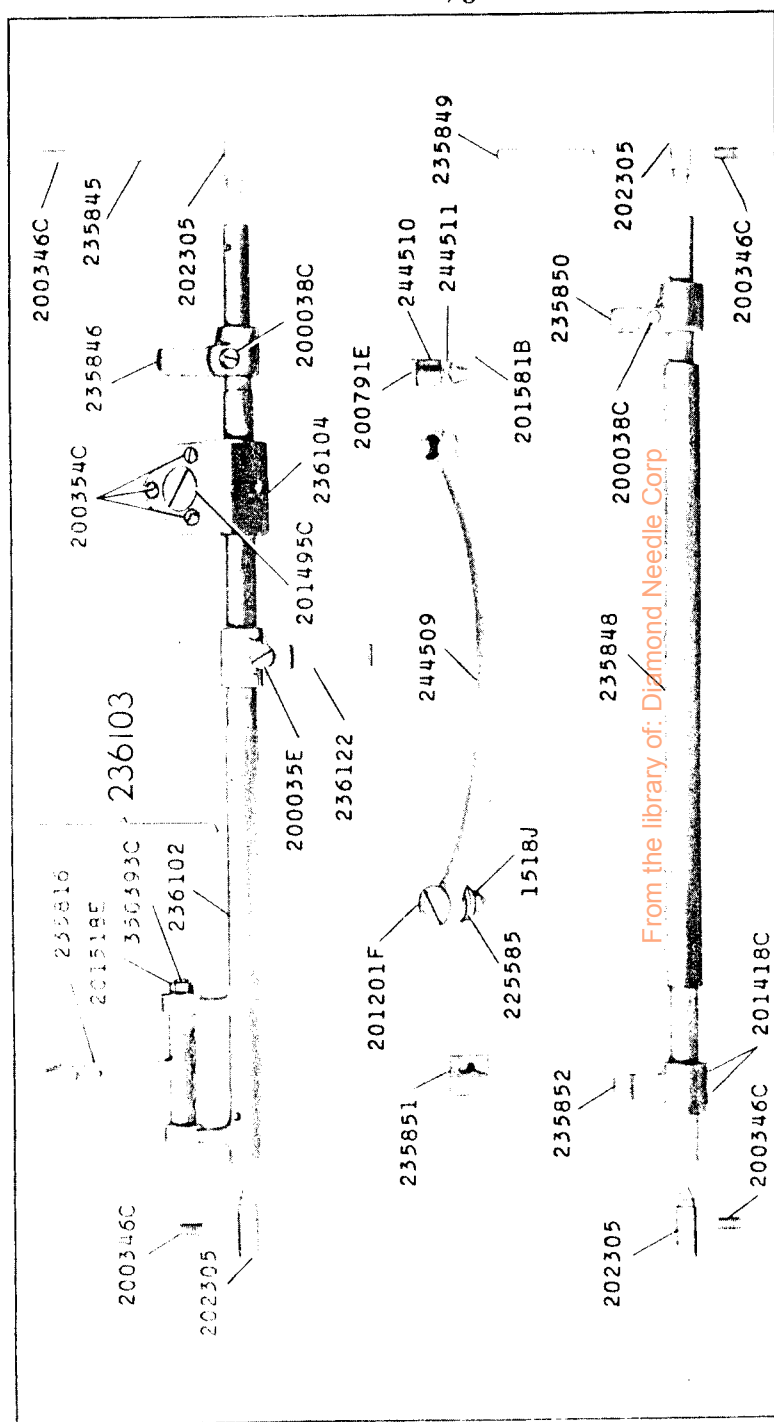
17128 - 3/8





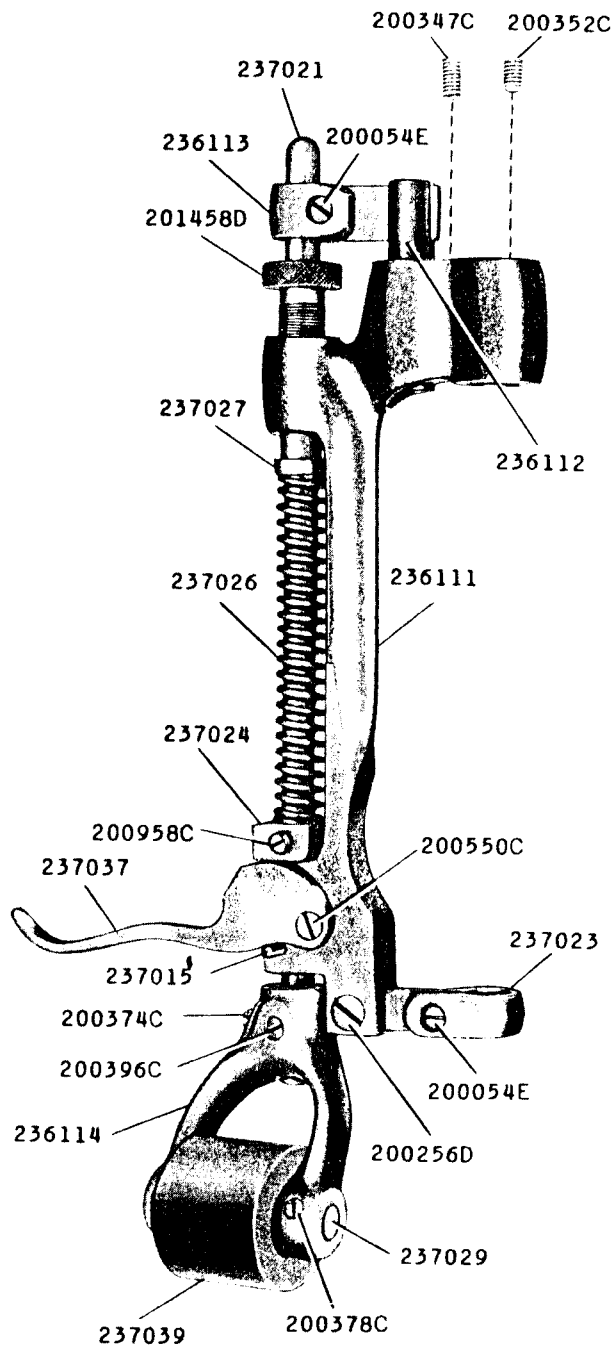


244550

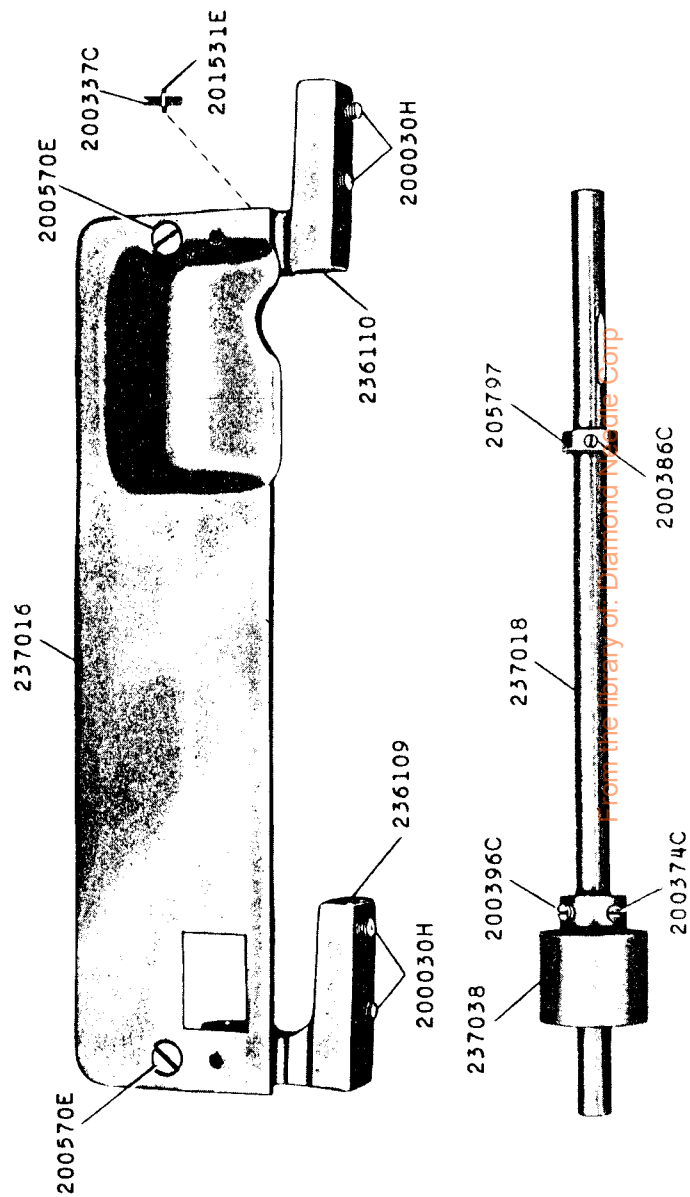


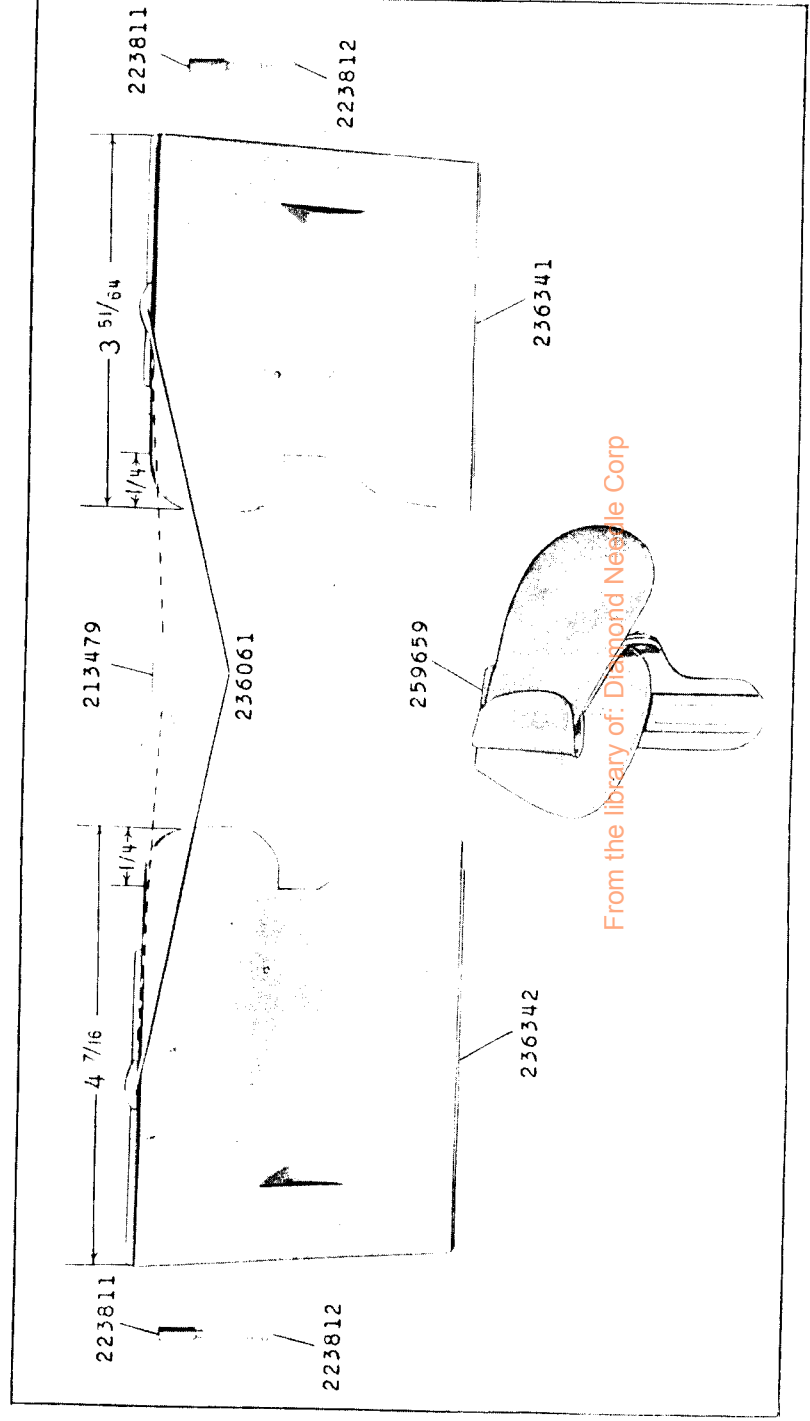
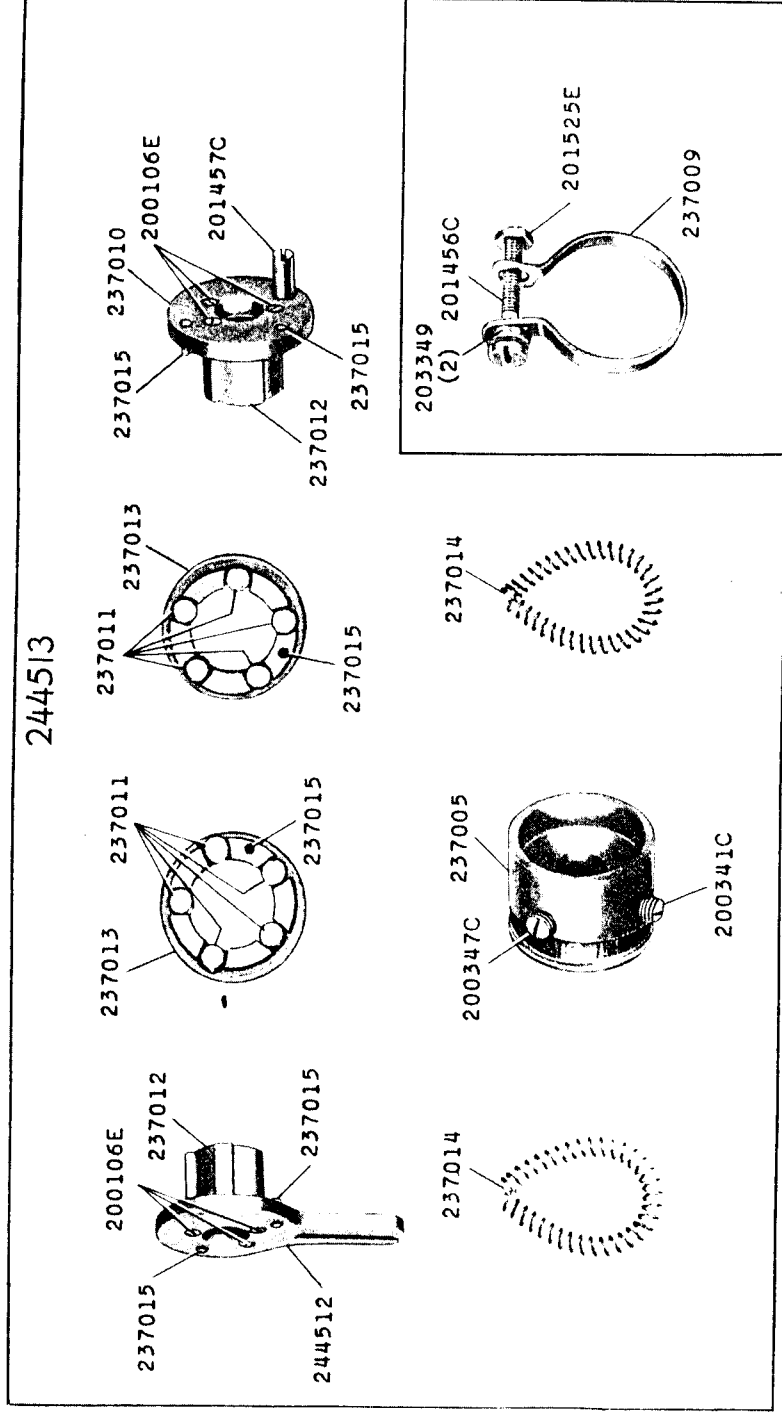
From the library of: Diamond Needle Corp.

17131 - 1/2

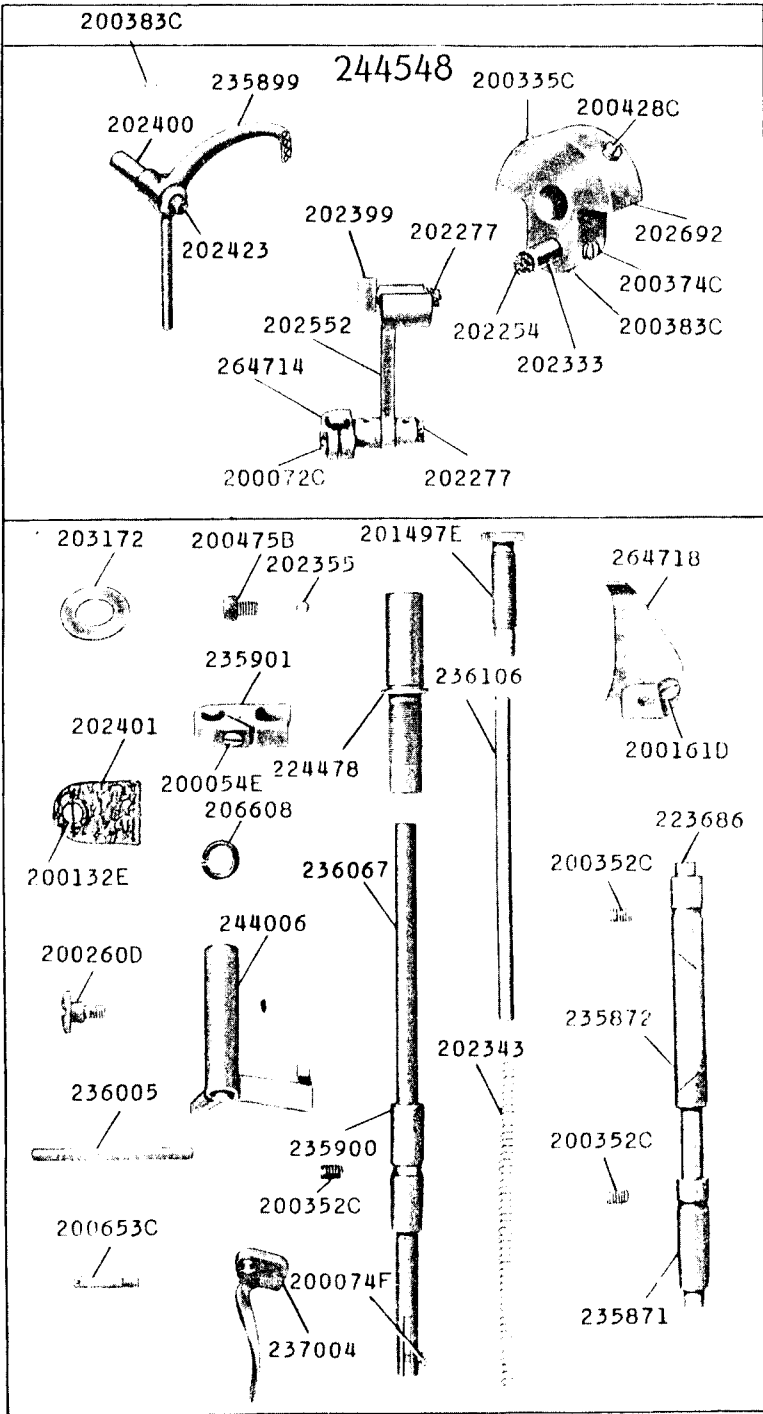


17132 - 3/8

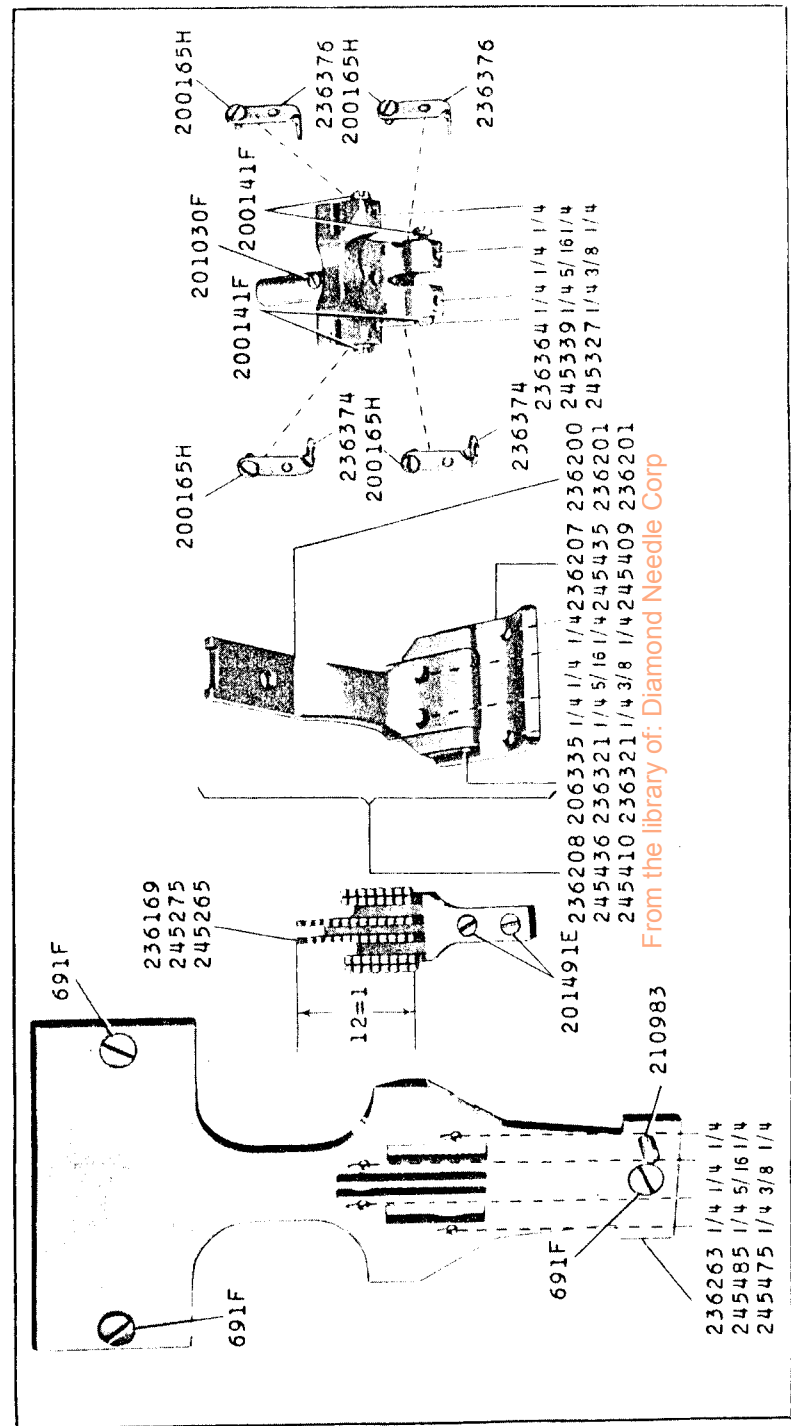




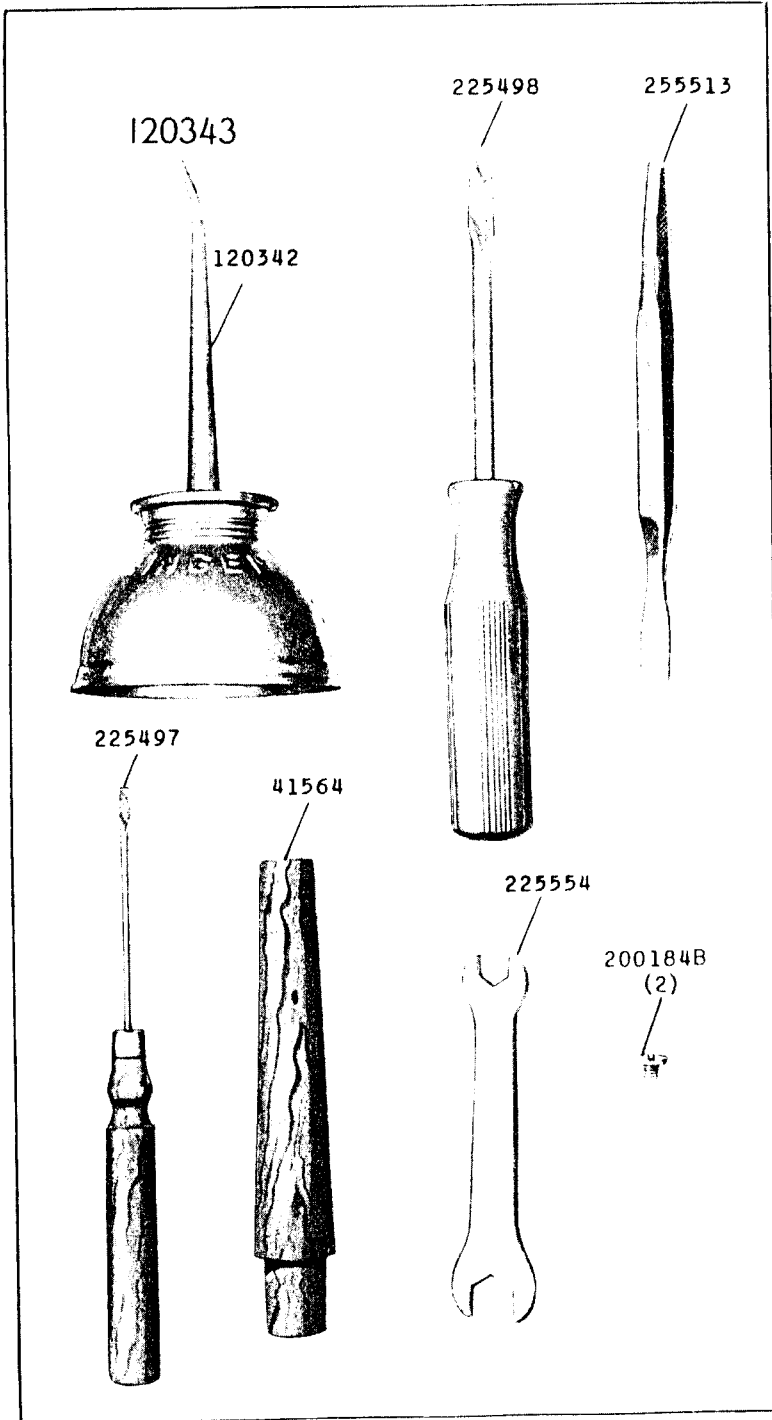
17134 - 3/8



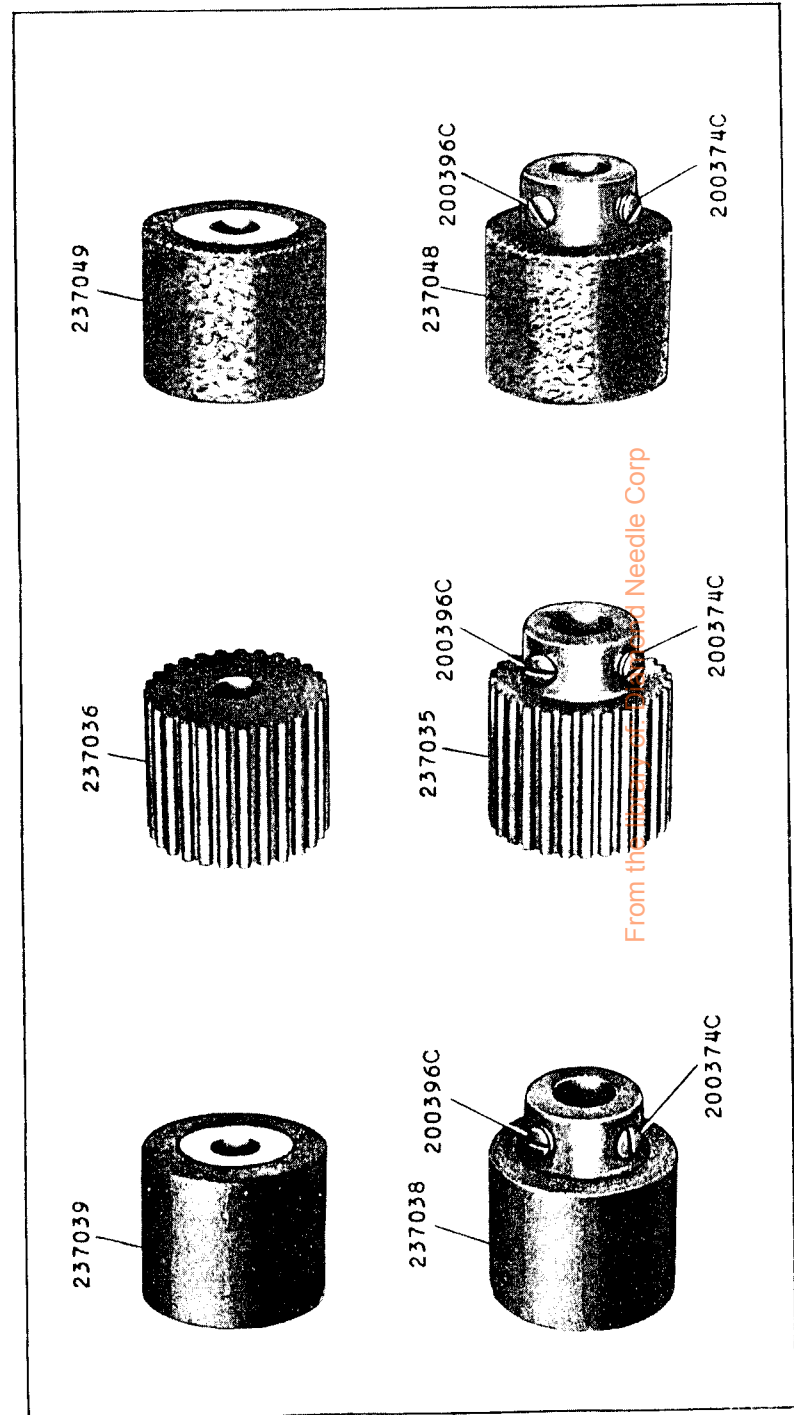
17136 - 5/8



17137 - 1/2



17138 - 5/8



17139 - 1/3



From the library of: Diamond Needle Corp